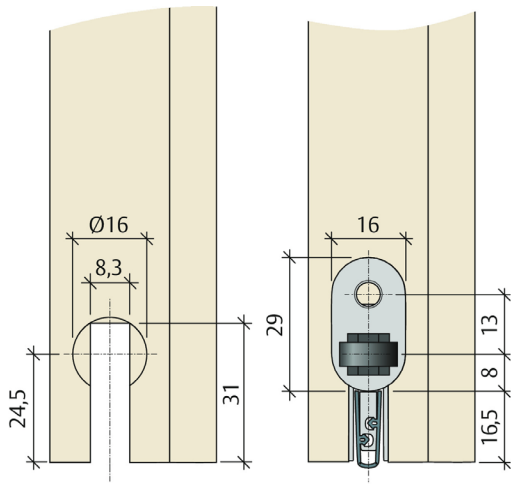


Planet US Pivot Module Set

MORTISED



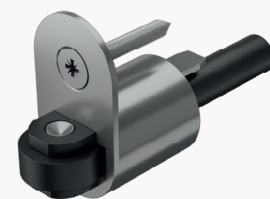
A complete sealing solution for rebated pivot doors, combining the Planet US drop seal with the Planet US pivot module. Designed for both top and bottom installation, it features a force-decoupled housing for enhanced durability and a silent release mechanism for smooth, low-resistance operation. Its ultra-narrow 8mm profile allows installation in slim pivot door leaves, while the high-efficiency mechanism enables parallel lowering and automatic compensation for sloping floors. Provides a seal height of up to 20mm for reliable performance in demanding applications.



Planet Pivot Drop Seal



Planet Pivot



Planet pivot module
«rebated» stainless steel



Planet pivot module
«rebated» black