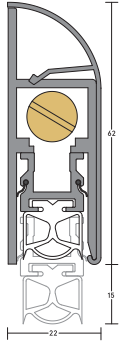


# LAS8009 SI

## DROP SEAL

### FITTING GUIDE



LENGTH \_\_\_\_\_

#### CONTENTS

- LAS8009 si drop seal
- Aluminium cover plate
- 2 x end caps + plugs
- Bag of screws
- 1 x striker button

#### TOOLS REQUIRED

- Tape measure
- Pencil or marker
- Saw, power or hand
- Screw driver
- Drill, power or hand
- 2.5mm drill bit
- 4.5mm drill bit
- Countersinking bit
- Scissors, knife or snips

For more information please call:

**+44 (0)1626 834252**

## INSTALLATION DETAIL

### REVERSING: HAND OF SEAL

#### STEP 1

Remove the seal from the packaging and check maximum cut back sizes.

#### STEP 2

Remove the aluminium cover plate and the self-tapping screw from the front face.

#### STEP 3

Pulling on actuator button, remove the internal carrier from the housing - ensure not to disturb the sequence of components.

#### STEP 4

Replace the internal carrier into the opposite end of the housing. Ensure that the internal carrier is flush with the end of the housing at the button end.

#### STEP 5

Secure internal carrier by refixing self-tapping screw into the other hole location at the other end of the housing.

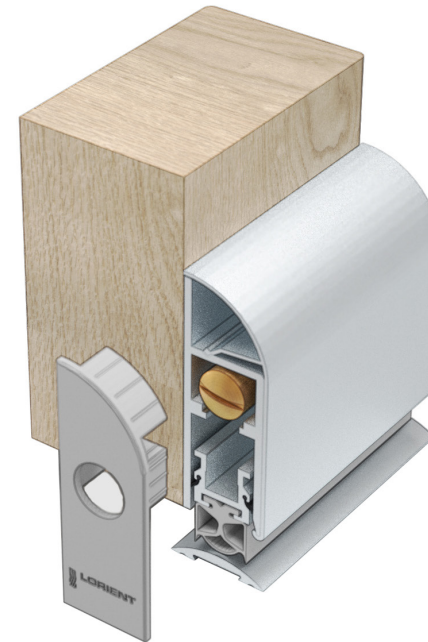
#### STEP 6

Check for correct operation before cutting to size.

### CUT BACK SIZES

**Do not cut the seal shorter than the lengths indicated below or this will affect the normal operation of the internal mechanism.**

335mm cuts to 275mm  
435mm cuts to 335mm  
535mm cuts to 435mm  
635mm cuts to 535mm  
735mm cuts to 635mm  
835mm cuts to 735mm  
935mm cuts to 835mm  
1035mm cuts to 935mm  
1135mm cuts to 1035mm  
1235mm cuts to 1135mm



### DISCLAIMER

Recommendations as to methods, use of materials and construction details are based on the experience and knowledge of Lorient and are given in good faith as a general guide and service to designers, contractors and manufacturers.

Lorient reserves the right to make alterations or delete any installation detail without prior notice.



Positive pressure-tested.  
Gasketing materials for fire doors intended for application to wood and plastic covered composite and wood core doors rated up to 1.5 hours. Listed steel frames and/or classified steel covered composite, hollow metal doors rated up to 3 hours.

V2

**LORIENT**  
**ASSA ABLOY**

ASSA ABLOY LTD T/A LORIENT  
Endeavour House  
Fairfax Road  
Heathfield Ind Estate  
Newton Abbot  
Devon TQ12 6UD  
United Kingdom

+44 (0)1626 834252  
www.lorientgroup.com

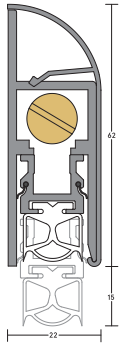
All rights reserved. No part of this fitting guide may be reproduced, stored in a retrieval system, or transmitted in any means, electronic, mechanical, photocopying, recording or otherwise without the written permission of Lorient.

© 2024 ASSA ABLOY Ltd T/A Lorient. Lorient is a registered trade mark of ASSA ABLOY LIMITED in England.

# LAS8009 SI

## DROP SEAL

### FITTING GUIDE



LENGTH \_\_\_\_\_

#### CONTENTS

- LAS8009 si drop seal
- Aluminium cover plate
- 2 x end caps + plugs
- Bag of screws
- 1 x striker button

#### TOOLS REQUIRED

- Tape measure
- Pencil or marker
- Saw, power or hand
- Screw driver
- Drill, power or hand
- 2.5mm drill bit
- 4.5mm drill bit
- Countersinking bit
- Scissors, knife or snips

For more information please call:

**+44 (0)1626 834252**

## INSTALLATION DETAIL

#### NOTE

Do not cut the seal before the hand of the door or seal location has been determined.

#### STEP 1

Remove the seal from the packaging and check maximum cut back sizes.

#### STEP 2

Slide off the aluminium cover plate. Measure the distance between the door stops.

#### STEP 3

Pull back the gasket from the opposite end to the actuator button and using a power saw/hacksaw, cut the aluminium sections to the measured length, less 7mm for end caps and clearance. Remove cutting swarf/debris.

#### NOTE

When cutting the seal to length, shorten the inner carrier by a further 3mm from the non-button end of the seal. Remove the small self-tapping screw from the face of the housing and sliding the internal carrier proud of the housing. Cut to length, slide back and re-fix screw. Push gasket back into position and cut to length with a sharp knife.

#### STEP 4

Fit the end cap to the actuator button end and position the seal to the bottom face of the door on the stop side, button end tight up to the door stop and allowing a maximum of 15mm between the door bottom and the sill. Ensure the actuator button is on the hinge side.

#### STEP 5

Drill and countersink 4.5mm fixing holes in the top flange of the housing. Pre-drill and screw fix to the door using screws provided. Re-fit the aluminium cover plate and push fit the remaining end cap and plug.

#### STEP 6

For timber frames, position the striker button on the stop where the actuator button meets the door stop.

#### STEP 7

Open and close the door observing the operation of the seal. Adjust accordingly by winding the actuator button clockwise to reduce movement and anti-clockwise to increase the seal movement.

#### NOTE

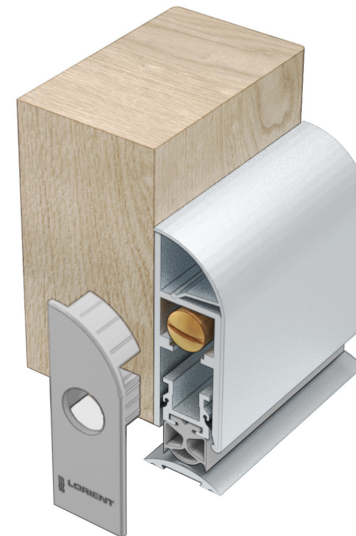
For optimum results the seal should be adjusted so that the silicone gasket touches the sill in the final closing moment of the door.

**We recommend the LAS8009 si drop seal be fitted with a LAS perimeter seal and a LAS threshold plate.**

#### DISCLAIMER

Recommendations as to methods, use of materials and construction details are based on the experience and knowledge of Lorient and are given in good faith as a general guide and service to designers, contractors and manufacturers.

Lorient reserves the right to make alterations or delete any installation detail without prior notice.



#### CUT BACK SIZES

**Do not cut the seal shorter than the lengths indicated below or this will affect the normal operation of the internal mechanism.**

335mm cuts to 255mm  
435mm cuts to 335mm  
535mm cuts to 435mm  
635mm cuts to 535mm  
735mm cuts to 635mm  
835mm cuts to 735mm  
935mm cuts to 835mm  
1035mm cuts to 935mm  
1135mm cuts to 1035mm



Positive pressure-tested.  
Gasketing materials for fire doors intended for application to wood and plastic covered composite and wood core doors rated up to 1.5 hours. Listed steel frames and/or classified steel covered composite, hollow metal doors rated up to 3 hours.

V2

**LORIENT**  
**ASSA ABLOY**

ASSA ABLOY LTD T/A LORIENT  
Endeavour House  
Fairfax Road  
Heathfield Ind Estate  
Newton Abbot  
Devon TQ12 6UD  
United Kingdom

+44 (0)1626 834252  
www.lorientgroup.com

All rights reserved. No part of this fitting guide may be reproduced, stored in a retrieval system, or transmitted in any means, electronic, mechanical, photocopying, recording or otherwise without the written permission of Lorient.

© 2024 ASSA ABLOY Ltd T/A Lorient. Lorient is a registered trade mark of ASSA ABLOY LIMITED in England.