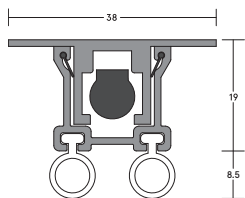


LAS8004 SI

DROP SEAL

FITTING GUIDE



certifire
(CF5179)

LENGTH _____

CONTENTS

- LAS8004 si drop seal
- Fixing screws
- 1 x striker button

TOOLS REQUIRED

- Tape measure
- Pencil or marker
- Saw, power or hand
- Screw driver
- Drill, power or hand
- 2.5mm drill bit
- Scissors, knife or snips



Positive pressure-tested. Gasketing materials for fire doors intended for application to wood and plastic covered composite and wood core doors rated up to 1.5 hours. Listed steel frames and/or classified steel covered composite, hollow metal doors rated up to 3 hours.

INSTALLATION DETAIL

STEP 1

Remove the seal from the packaging and check maximum cut back sizes.

STEP 2

Measure the door bottom. At the opposite end to the actuator button, pull back the gasket and using a power/hack saw, cut the aluminium sections to the measured length. Remove cutting swarf/debris. Push gasket back into position and cut to length with a sharp knife.

STEP 3

Position the seal on the door bottom ensuring the actuator button is on the hinge side.

STEP 4

Pre-drill and screw fix to the door using screws provided.

STEP 5 FOR TIMBER FRAMES

Position the striker button on the stop where the actuator button meets the door frame.

STEP 6

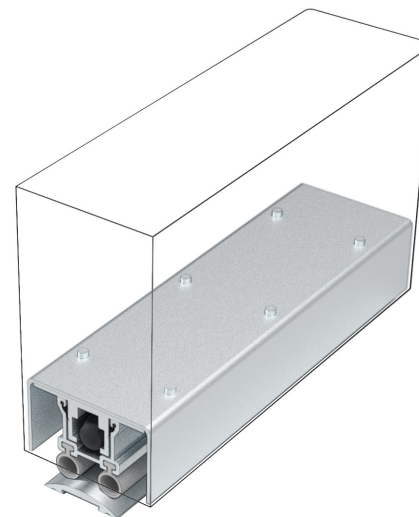
Open and close the door observing the operation of the seal. Adjust accordingly by winding the actuator button clockwise to reduce movement and anti-clockwise to increase the seal movement.

NOTE

For optimum results the seal should be adjusted so that the silicone gasket touches the sill in the final closing moment of the door.

We recommend LAS8004 si drop seal be used together with a Lorient perimeter seal and, if required a Lorient threshold plate.

Ensure that the installation of this product does not impede the opening or closing of the door. It is recommended to check the adjustment of the door seal periodically to ensure the door assembly to which it is fitted, closes and latches properly.



CUT BACK SIZES

Do not cut the seal shorter than the lengths indicated below or this will affect the normal operation of the internal mechanism.

635mm cuts to 535mm
735mm cuts to 635mm
835mm cuts to 735mm
935mm cuts to 835mm
1035mm cuts to 935mm
1135mm cuts to 1035mm
1235mm cuts to 1135mm

DISCLAIMER

Recommendations as to methods, use of materials and construction details are based on the experience and knowledge of Lorient and are given in good faith as a general guide and service to designers, contractors and manufacturers.

Lorient reserves the right to make alterations or delete any installation detail without prior notice.

V3

 **LORIENT**
ASSA ABLOY

ASSA ABLOY LTD T/A LORIENT
Endeavour House
Fairfax Road
Heathfield Ind Estate
Newton Abbot
Devon TQ12 6UD
United Kingdom

+44 (0)1626 834252
www.lorientgroup.com

All rights reserved. No part of this fitting guide may be reproduced, stored in a retrieval system, or transmitted in any means, electronic, mechanical, photocopying, recording or otherwise without the written permission of Lorient.

© 2024 ASSA ABLOY Ltd T/A Lorient. Lorient is a registered trade mark of ASSA ABLOY LIMITED in England.

For more information please call:

+44 (0)1626 834252