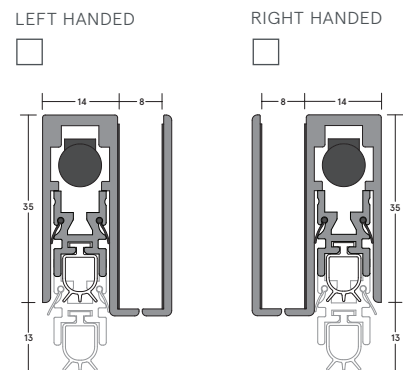


LAS8002G

DROP SEAL

FITTING GUIDE

GLASS DOOR APPLICATION DESIGNED FOR HINGED DOORS INTO TIMBER OR ALUMINIUM FRAMES.



LENGTH _____

CONTENTS

- LAS8002G drop seal
- 2 x end plates
- 1 x striker button

TOOLS REQUIRED

- Tape measure
- Pencil or marker
- Saw, power or hand
- Knife

NOTE

Ensure that the installation of this product does not impede the opening or closing of the door. It is recommended to check the adjustment of the door seal periodically to ensure the door assembly to which it is fitted, closes and latches properly.

For more information please call:

+44 (0)1626 834252

INSTALLATION DETAIL

NOTE

LAS8002G is non-reversible and needs to be ordered left or right handed.

STEP 1

Remove the seal from the packaging and check maximum cut back sizes.

STEP 2

Measure the distance between the door stops. At the opposite end to the actuator button, pull back the gasket and using a power/hack saw, cut the aluminium section to the measured length, less 8mm for end caps and clearance. Remove cutting swarf/debris. Push gasket back into position and cut to length with a sharp knife.

STEP 3

Ensure the glass is clean & free from dust. For a glass door application (G) consisting of a LAS8002 carrier with return on one leg that fits under the glass and back plate. Both affix to the glass with 30mm tape.

STEP 4

Fit the end cap to the actuator button end & position the seal at the bottom face of the door, ensuring the actuator button is on the hinge side. Allow a max.13mm gap (min 3mm) between the door bottom & the sill.

STEP 5

Fit the other end cap at the leading edge end of the seal.

STEP 6 - FOR TIMBER FRAMES

position the striker button on the stop where the actuator button meets the door frame.

STEP 7

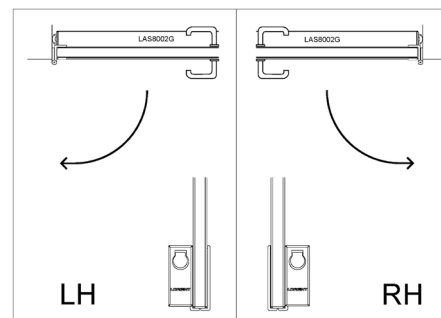
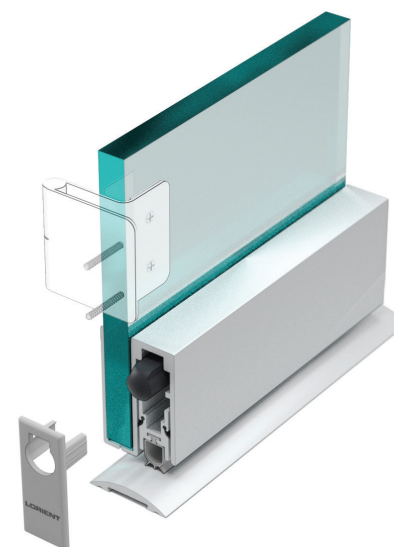
Open and close the door observing the operation of the seal. Adjust accordingly by pulling out the actuator button clear of the housing.

Firmly holding the threaded rod, turn the actuator button clockwise to reduce movement and anti-clockwise to increase the seal movement.

NOTE

For optimum results the seal should be adjusted so that the silicone gasket touches the sill in the final closing moment of the door.

We recommend LAS8002G drop seal is used together with a Lorient perimeter seal and, if required a threshold plate.



CUT BACK SIZES

Do not cut the seal shorter than the lengths indicated below or this will affect the normal operation of the internal mechanism.

335mm cuts to 255mm
435mm cuts to 335mm
535mm cuts to 435mm
635mm cuts to 535mm
735mm cuts to 635mm
835mm cuts to 735mm
935mm cuts to 835mm
1035mm cuts to 935mm
1135mm cuts to 1035mm
1235mm cuts to 1135mm

DISCLAIMER

Recommendations as to methods, use of materials and construction details are based on the experience and knowledge of Lorient and are given in good faith as a general guide and service to designers, contractors and manufacturers.

Lorient reserves the right to make alterations or delete any installation detail without prior notice.

V3

 **LORIENT**
ASSA ABLOY

ASSA ABLOY LTD T/A LORIENT
Endeavour House
Fairfax Road
Heathfield Ind Estate
Newton Abbot
Devon TQ12 6UD
United Kingdom

+44 (0)1626 834252
www.lorientgroup.com

All rights reserved. No part of this fitting guide may be reproduced, stored in a retrieval system, or transmitted in any means, electronic, mechanical, photocopying, recording or otherwise without the written permission of Lorient.

© 2024 ASSA ABLOY Ltd T/A Lorient. Lorient is a registered trade mark of ASSA ABLOY LIMITED in England.