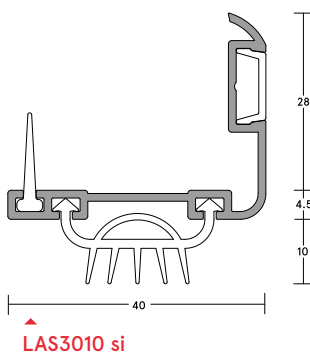


DOOR BOTTOM SEALS

LAS3010 si

HEAVY DUTY

A heavy duty, multi-blade weather protective seal, which can be fitted without removing the door, and can be used with a choice of threshold plates. Concealed fixings, pre-drilled and slotted holes on LAS3010 si provide easy adjustment. Durable, anodised aesthetic finish.



SYSTEM SPECIFICATIONS

Performance

- ▶ Protects against smoke, weather, draught, light and insects when fitted with a suitable threshold seal.

Location

- ▶ Single and double leaf doors.

Use with

- ▶ Practically any threshold plate, but ideally suited to the LAS4016.

Min/max gap size

- ▶ 16mm - 20mm.

Seal material

- ▶ Aluminium carrier with a flexible silicone rubber gasket.

Standard lengths

- ▶ 1m and 2.1m.

Fixing

- ▶ Self-tapping wood screws are supplied (self-drilling and self-tapping screws for metal construction available on request).
- ▶ Fixing holes are pre-drilled and slotted to allow the seals to be adjusted and positioned accurately. A PVC cover strip to conceal fixings is supplied

Finishes

- ▶ Silver anodised aluminium with grey cover strip and grey silicone rubber gasket.