

DUCT 4

LVH44 IN INSULATED DUCT SECTION

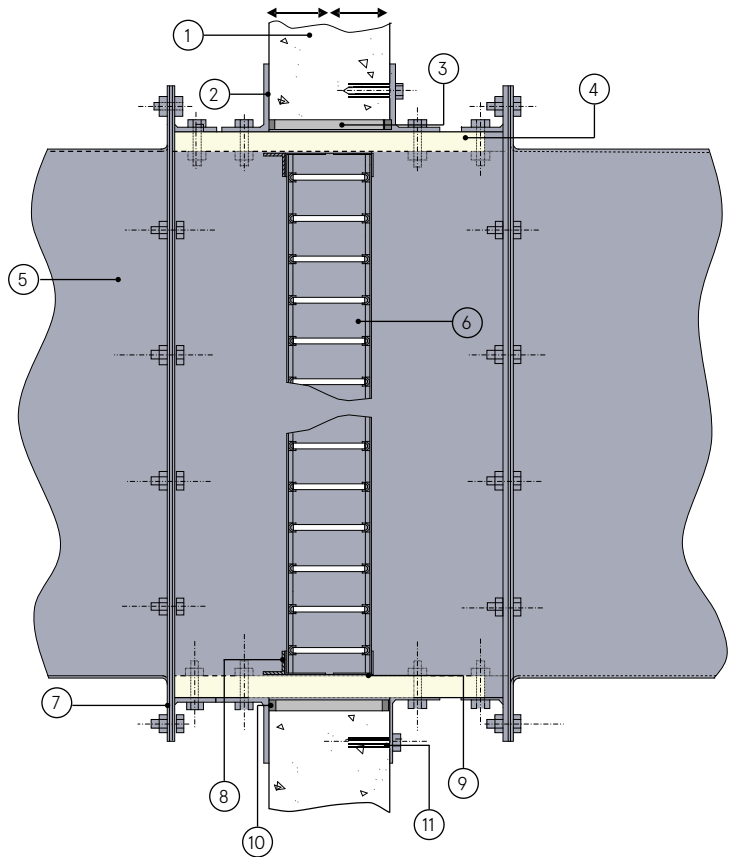
DESCRIPTION	
1	Wall
2	Wall clamping angle
3	Mineral wool packing
4	Mineral board
5	Steel duct
6	LVH44 air transfer grille
7	Joining angle
8	Damper retaining bracket 1mm galvanised steel fixed with short self tapping screws
9	Intumescent sealant - LVH44 to duct
10	Intumescent sealant bead around perimeter
11	Wall fixing angle.

CONTENTS

- LVH44 air transfer grille

TOOLS REQUIRED

- 50mm masonry anchors
- Mounting angle 75 x 25 x 1.20mm galvanised steel
- Retaining bracket 1mm (25mm x 25mm)
- Short self tapping screws (3.2mm x 16mm)
- Mineral wool
- Lorient intumescent sealant



LVH44 in insulated duct section

FR120

Fire Resistance in accordance with

BS 476-22:1987

Approval Ref

WFRC C121316

Max single cell size

600mm x 600mm

LVH44 air transfer grilles are supplied 2mm less than the nominal size e.g. a 300mm x 300mm is actually 298mm x 298mm.

INSTALLATION INSTRUCTIONS

- ▶ Cut 20mm thick mineral boards to dimensions required ensuring a minimum of 2mm clearance on LVH44 width and height.
- ▶ Make up duct section using appropriate screws and seal any joint gaps with intumescent sealant. (Supply of the complete insulated section can be obtained from Lorient by arrangement).
- ▶ Locate damper mounting brackets around LVH44 perimeter.
- ▶ Position LVH44 in insulated duct section so that the air transfer grille will be at the mid point of the wall when the insulated duct is installed.
- ▶ Fix damper mounting brackets to inside of insulated duct using 20mm screws and seal around LVH44 with intumescent sealant.
- ▶ Fit wall mounting angles to duct using nuts and bolts (Note: the vertical flange that clamps to the wall must overlap the aperture by at least 45mm to provide a good anchorage for wall fixings).
- ▶ Pre-drill all bolt holes in insulation duct for joining angles.
- ▶ Cut aperture in wall at least 20mm greater than the dimensions of the duct outer dimensions.
- ▶ Pre-drill wall for mounting fasteners.
- ▶ Position insulated duct section into wall aperture and pack in mineral wool around periphery.
- ▶ Seal over mineral wool or any gaps with intumescent sealant.
- ▶ Secure wall fixing angle to wall using appropriate fasteners, ensuring that the angle makes even contact with the wall face and duct section is level and correctly aligned.
- ▶ Locate wall clamping angle and fix to duct with even contact to wall. Fix joining angles to insulated duct section using appropriate fasteners.
- ▶ Using appropriate gasket material, connect the main steel duct sections to the insulated duct using appropriate fasteners.