

# DUCT 2

## LVC40 INSTALLATION IN CIRCULAR GALVANISED STEEL DUCTS

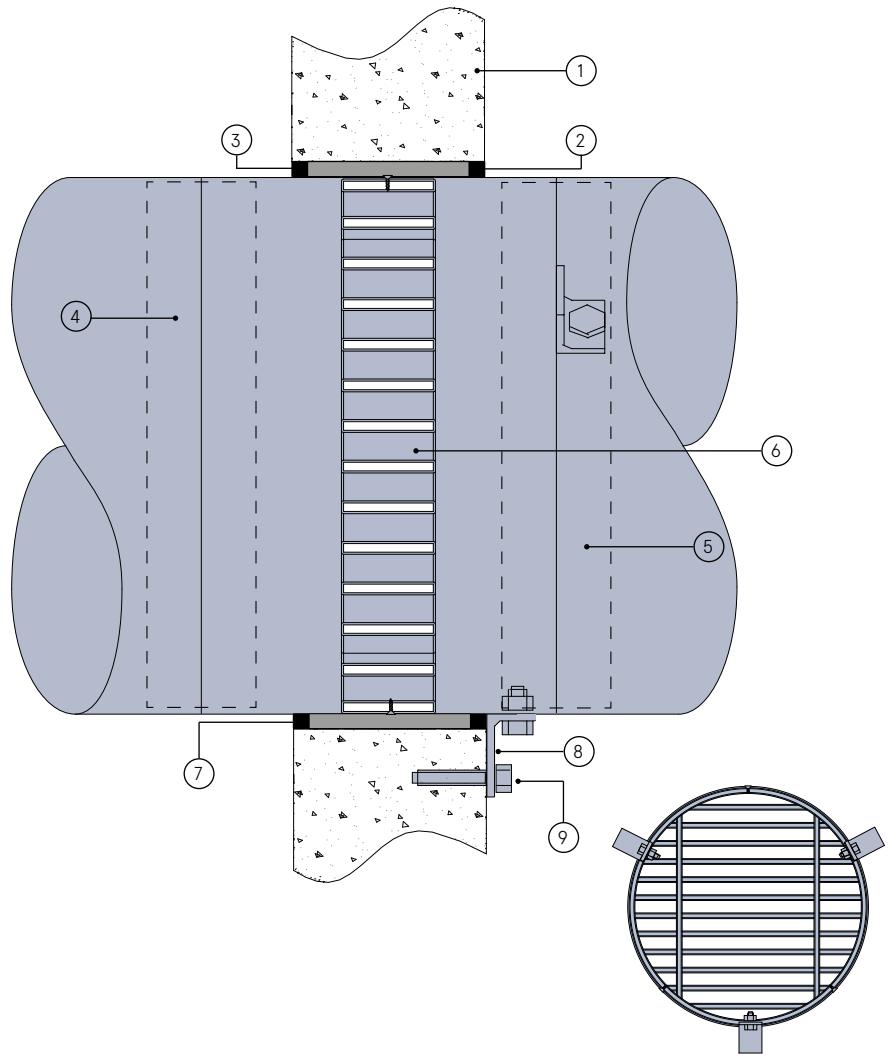
DESCRIPTION	
1	Rigid wall construction
2	Mineral wool packing
3	Intumescent sealant seal
4	Joining collar
5	Joining collar galvanised
6	LVC40 air transfer grille
7	Bed in intumescent sealant
8	Fixing angle: 100 x 100 x 1.2mm thick minimum galvanised steel angles fixed to air transfer grille unit with self tapping screws and to wall with masonry anchors
9	Masonry anchors

### CONTENTS

- LVC40 air transfer grille

### TOOLS REQUIRED

- 3.2 x 16mm self tapping screws / Nut + Bolt
- Fixing angles
- Masonry anchors
- Mineral wool
- Wall fixings
- Internal joining collar
- Lorient intumescent sealant



### LVC40 installation into galvanised steel ducts

#### FR60

#### Fire Resistance in accordance with

BS 476-20:1987

#### Approval Ref

WF185829/A

#### Max single cell size

600mm diameter

LVC40 air transfer grilles are supplied 2mm less than the nominal size e.g. a 150mm is actually 148mm.

### INSTALLATION INSTRUCTIONS

- ▶ Prepare a short piece of duct at least 150 mm longer than the thickness of wall to be penetrated (100mm wall thickness will require a minimum duct length of 250mm).
- ▶ Position the intumescent air transfer grille into the duct at point where it will be approximately on the centre line of the wall thickness when the duct is fitted into a wall aperture.
- ▶ Fix air transfer grille into position in duct using 16mm self tapping screws.
- ▶ Seal periphery between duct inner face and air transfer grille frame with intumescent sealant.
- ▶ Cut aperture in wall at least 10mm greater than the outside diameter of the duct section.
- ▶ Place duct and air transfer grille assembly into aperture ensuring air transfer grille is positioned inside the wall section.
- ▶ Mark on the duct the position of a least 3 number wall fixing angles.
- ▶ Remove duct from wall aperture and fit fixing angles to duct using nuts and bolts. (Note: the vertical angle that face to the wall must overlap the aperture by at least 25mm to provide good anchorage for wall fixings)
- ▶ Position duct assembly into wall and pack around with mineral wool keeping the duct assembly central to the aperture and in alignment with the wall face.
- ▶ Fix in position with fasteners through mounting angles into wall.
- ▶ Seal over the mineral wool packing with intumescent sealant.
- ▶ Fit an internal joining collar into each end of the duct + air transfer grille assembly.
- ▶ Secure using self tapping screws and seal with intumescent sealant.
- ▶ Connect the duct + air transfer grille assembly to main duct sections.