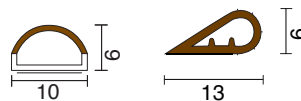


IS1025 and IS1045 si Extruded Elastomeric Seals

Light Duty



IS1025

IS1045 si

Two superior quality, self-adhesive profiles for doors and window frames, which provide a compression seal.

Location

IS1025 – mounted on doorstep or can be recessed by up to 2mm on single swing doors.

IS1045 si – mounted on doorstep for single swing doors.

Min/max gap size

IS1025 – 3mm/4mm (rebated).

IS1025 – 3mm/5.5mm (non-rebated).

IS1045 si – 3mm/5mm.

Seal material

IS1025 – co-extruded elastomeric bulb with PVC spine.

IS1045 si – silicone.

Standard lengths

IS1025 – 1m and 2.1m lengths.

IS1045 si – 50m reels.

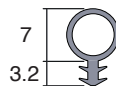
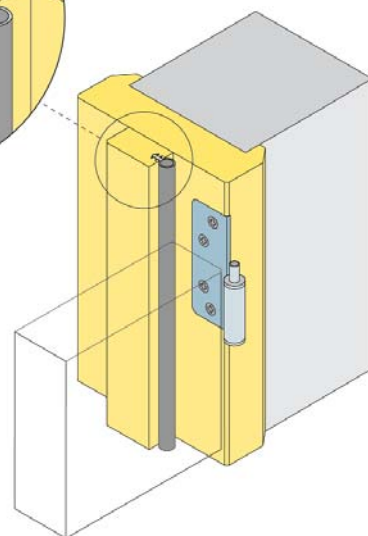
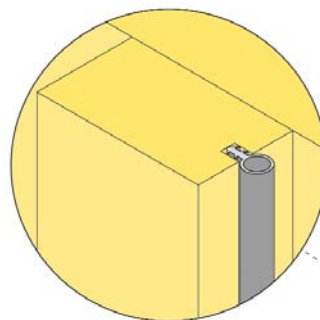
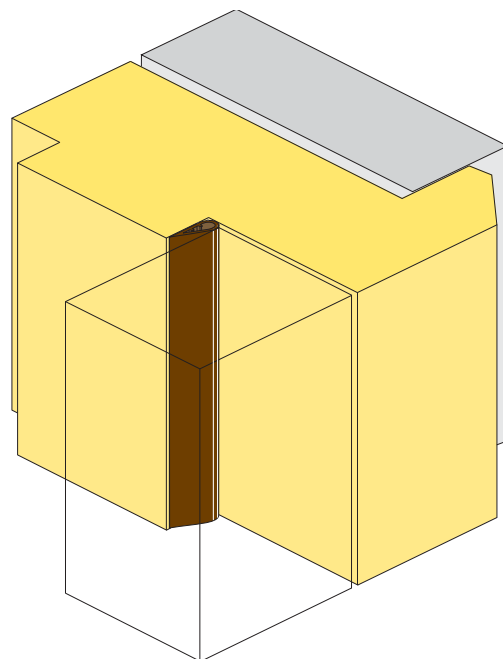
Fixing

Self-adhesive tape. *Note: contact surfaces must be clean, smooth and, if painted, well cured.*

Colours

IS1025 – White or brown.

IS1045 si – Black, white or brown.



IS1008 si

IS1008 si Bulb Seal

Key Benefits

Durable, silicone bulb seal for acoustic performance and smoke containment. Push fits quickly and easily into a 2mm wide x 3mm deep groove.

Location

Head and jambs of single swing doors.

Use with

Practically any threshold (door bottom) seal (3000 series and 8000 series).

Min/max gap size

3mm/6mm.

Seal material

Flexible silicone rubber

Standard lengths

100m reels

Fixing

Interference fit into a kerf 2mm wide and minimum 3mm deep.

Colours

Black. Other colours to order.