

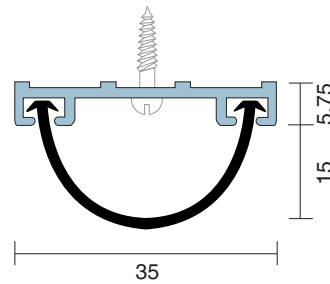
**IS3020 si and IS3021 si** Threshold (Door Bottom) Seals

Heavy Duty

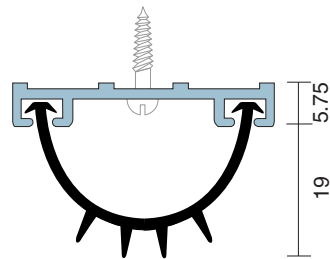


Heavy duty, non-rebated versions of IS3015 si and IS3016 si.

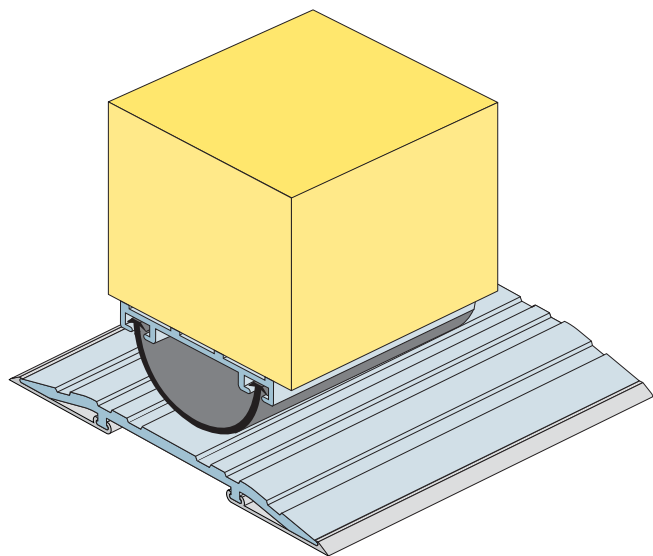
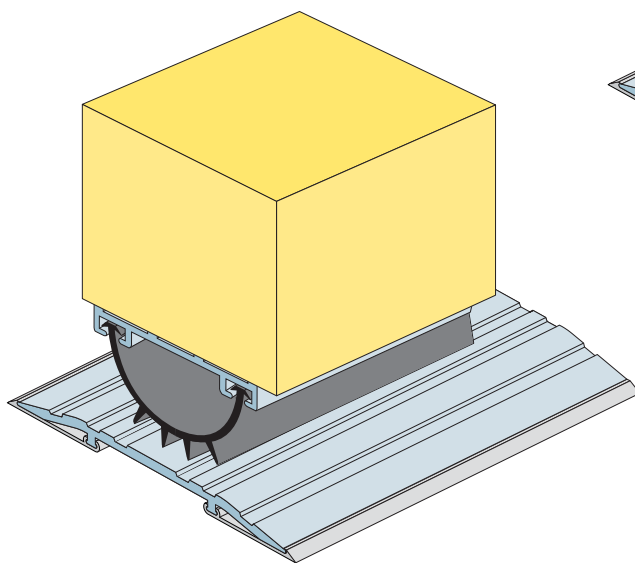
- **Location**  
Single and double swing doors.
- **Use with**  
Practically any threshold plate (4000 series).
- **Min/max gap size**  
IS3020 si – 13mm/19mm  
IS3021 si – 16mm/24mm
- **Seal material**  
Flexible silicone rubber.
- **Standard lengths**  
1m and 2.1m. Other lengths to special order.
- **Fixing**  
Wood screws are supplied (self-tapping screws for metal frames are available on request). Fixing holes are pre-drilled. Once the aluminium carrier is fixed, the rubber gasket can be snapped easily into place, due to its unique 'push fit' design.  
*Note: these seals cannot be adjusted once fitted.*
- **Finish**  
Silver anodised aluminium with black silicone rubber gasket.



IS3020 si



IS3021 si



Both seals shown with threshold plate IS4015.